

Upgraded **pca**slab Offers New Time-Saving Capabilities

www.pcaStructurePoint.com

Newly upgraded, pcaSlab version 1.5 is even more efficient in helping engineers analyze, design and investigate reinforced concrete floor systems. Like its predecessor ADOSS, pcaSlab now analyzes beams, one-way slab systems, and two-way slab systems.

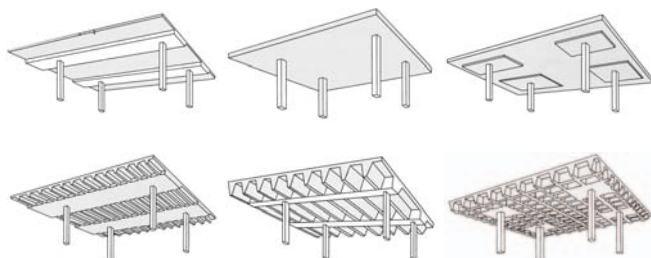
This new release incorporates torsion into shear design and investigation of beam systems. Shear capacity including torsion is represented in terms of required and provided area of transverse and longitudinal reinforcement.

Additional savings in both material and labor can be achieved using the new moment redistribution feature. It allows up to 20% reduction of negative moments over supports reducing reinforcement congestions in these regions.

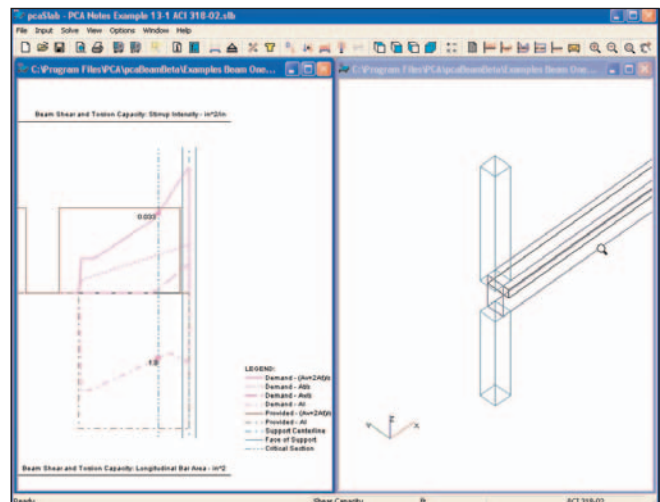
pcaSlab continues to support ACI 318-99, ACI 318-02, and CSA.A 23.3-94 codes in both English and metric units.

Analysis and design tools in pcaSlab are provided for the following systems:

- > Simple and continuous beams
- > One-way slabs
- > Two-way flat plates
- > Two-way flat slabs (with drop panels)
- > One-way pan joist systems (Standard modules)
- > One-way skip joist systems (Wide modules)
- > Two-way joist systems (Waffle slabs)



pcaSlab enables the user to integrate up to 20 spans and two cantilevers of multiple floor system types in each model. Beyond new slab analysis and design, pcaSlab can perform strength investigation for evaluation and/or modifications to existing building slabs. The program promises to save users time crosschecking designs with applicable provisions of relevant design codes.



Also upgraded is pcaBeam that includes only beam and one-way slab system capabilities and is available as a limited version of pcaSlab.

Flexible licensing options include both hardware and software protection for standalone and network licensing. Commuter and corporate licensing along with maintenance subscription provides a wide spectrum of enhanced customer service and technical support to help you keep your projects profitable and on schedule.

Designed with the engineer in mind, pcaSlab combines beam and slab design tools to help you work more quickly, simply and accurately.